

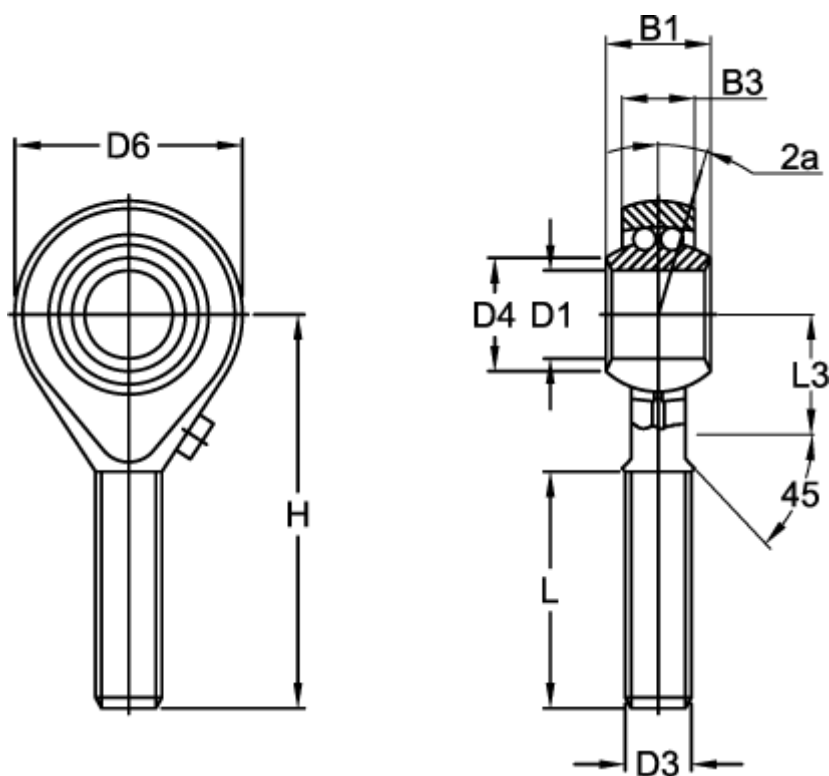
Data Sheet



Article number: 03704012

Description: Fluro rod end BRM 12
with ball bearing

Measures



Angel 2a	= 7.5	H	= 54
B1	= 16	L	= 33
B3	= 12.00	L3	= 19
D1	= 12	Max rpm	= 1125
D3	= M12x1,75	Static load (N)	= 1800
D4	= 14.5	Weight (kg)	= 0.087
D6	= 32		
Dynamic load C (N)	= 4950.0		